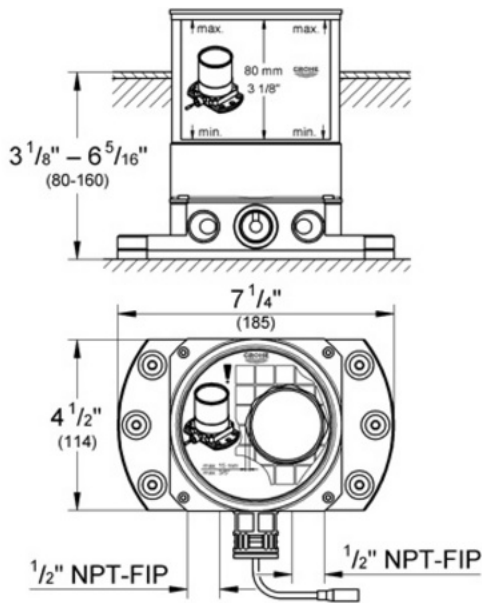


36 073 Installation Kit for Freestanding Roman Tub Filler



Description

-AVAILABLE ONLY THROUGH AUTHORIZED GROHE ONDUS SHOWROOMS-

For digital freestanding Roman tub filler 36 057

Flow Rate

N/A

Code Compliance

ASME/ANSI A112.18.1M

Finish Options

36 073 000 Rough-In