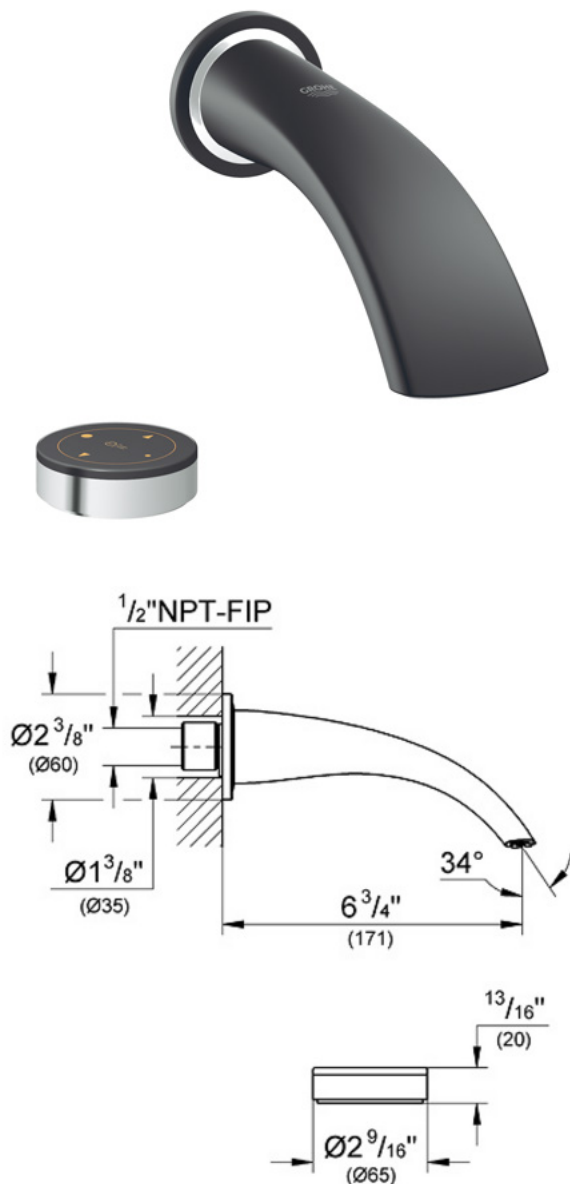


## 36 058 Wall Mount Tub Spout with Wireless Remote



### Description

-AVAILABLE ONLY THROUGH AUTHORIZED GROHE ONDUS SHOWROOMS-

Advance wireless touch pre-set panel with backlit icons

GROHE Ondus ribbon flow

3 user options: digital temperature control  $\pm$ ; digital water flow control  $\pm$ ; start & pause control

Remote: integrated lithium backup battery system (3 V)

Concealed valve: battery back-up emergency power supply (6 V lithium battery, typ CR-P2)

AC power supply 120 V AC / 6 V DC

Single hole wall-mount installation

Maximum 5.3 gpm water flow rate

Automatic safety shut-off (programmable)

Requires 36 070 concealed body

### Flow Rate

Maximum 5.3 gpm water flow rate

### Code Compliance

ASME/ANSI A112.18.1M

### Finish Options

36 058 OOO Starlight® Chrome

36 058 KS0 Velvet Black

36 058 LS0 Moon White

36 058 BS0 Titanium