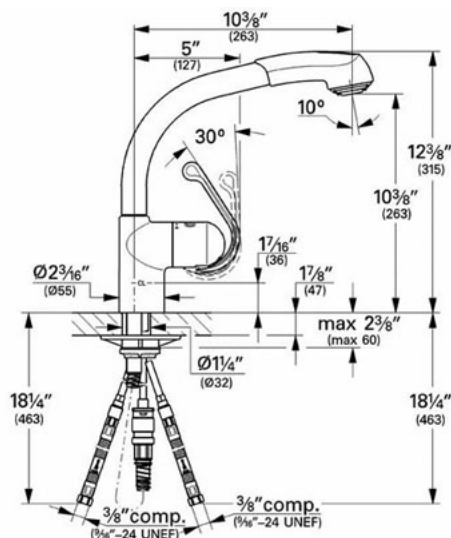


## 33 737 Dual Spray Pull-Out



### Description

Dual Spray Pull-Out  
360° swivel spout  
Dual spray control - switches back and forth between regular flow and spray  
SpeedClean anti-lime system  
Ceramic cartridge  
56" extractable hose  
10 3/8" spout reach  
Quick installation system  
Stainless steel braided flexible supplies  
Integral check valves  
Single hole installation

Installation note: For full handle movement when mounted in front of a wall or backsplash, this faucet must be installed with no less than 3 1/4" of clearance between the faucet and backsplash or wall, unless the faucet is installed with the handle facing forward (handle opposite the wall).

IAPMO File #1750

### Flow Rate

2.2 gpm at 60 psi,  
2.5 gpm at 80 psi (9.5 lpm)

### Code Compliance

ASME/ANSI A112.18.1M  
ANSI/NSF Standard 61  
ADA Compliant

### Finish Options

33 737 OOO Starlight® Chrome  
33 737 IBO Chrome/Soft Black  
33 737 DCO SuperSteel