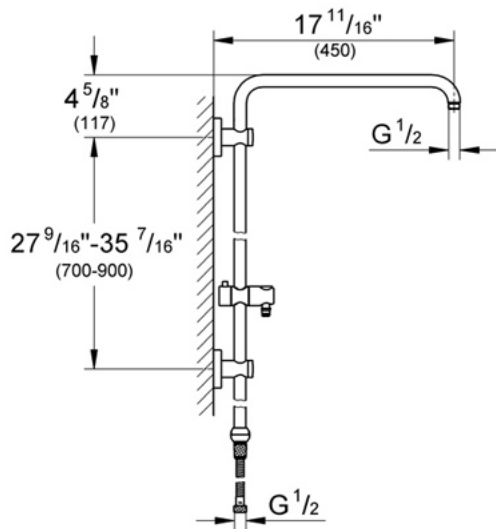


27 031 Shower system



Description

Allows use of Rainshower shower head and a hand shower with existing exposed thermostat valve, shower arm, hand shower union, or tub spout with 1/2" hose connection
50" Riser
Pivoting shower arm - 16" reach from wall
Adjustable hand shower holder
Grohclick quick connection system hand shower hose (1/2" threads)

Flow Rate

N/A

Code Compliance

ASME/ANSI A112.18.1M

Finish Options

27 031 OOO Starlight® Chrome
27 031 AVO Infinity Satin Nickel