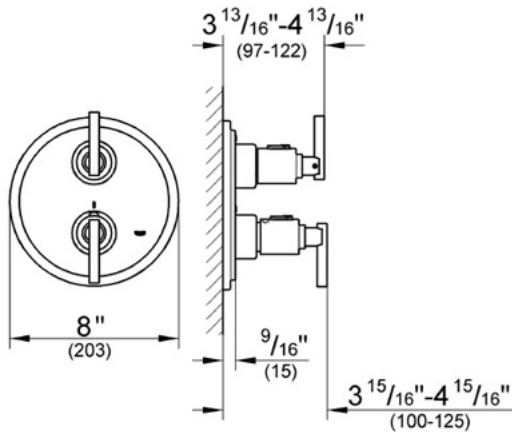


19 168 Integrated thermostat trim



Description

Integrated volume and temperature control
Lever handle volume control
Lever handle temperature control

For use with Grohtherm 34 909 or 34 126
Integrated thermostatic rough-in valves

Note: Recommended for shower installations

Flow Rate

NA

Code Compliance

ASME/ANSI A112.18.1M
ADA Compliant

Finish Options

19 168 OOO Starlight® Chrome
19 168 AVO Infinity Satin Nickel
19 168 BEO Sterling Infinity Finish
19 168 ENO Infinity Brushed Nickel