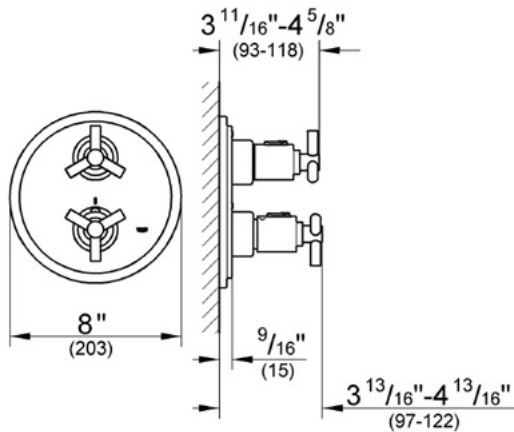


## 19 167 Integrated thermostat trim



### Description

Integrated volume and temperature control  
 Trio spoke handle volume control  
 Trio spoke handle temperature control

For use with Grohtherm 34 909 or 34 126  
 Integrated thermostatic rough-in valves

Note: Recommended for shower installations

### Flow Rate

NA

### Code Compliance

ASME/ANSI A112.18.1M

### Finish Options

- 19 167 OOO Starlight® Chrome
- 19 167 AVO Infinity Satin Nickel
- 19 167 BEO Sterling Infinity Finish
- 19 167 ENO Infinity Brushed Nickel